



The following excerpt from the Owners Manual is provided to help explain the proper way to safely use this product. If you have any questions please call RSVP at 702-878-0144

Please do not attempt to service or repair this product in any way.

If you experience any problems with this item please discontinue its use and call RSVP at 702-878-0144 for assistance. If for any reason we cannot be reached, please discontinue use of any malfunctioning piece of equipment.

PLEASE NOTE THAT PROPANE FUELED ITEMS ARE FOR OUTDOOR USE ONLY

RSVP Party Rentals
4445 S. Valley View Blvd.
Suite 7
Las Vegas, NV 89103

www.RSVPPARTY.com



The Original Outdoor Patio Heater

Manufactured by

INFRARED DYNAMICS, INC.

Yorba Linda, CA 92886 U.S.A.

Tel: (714) 572-4050 Fax: (714) 572-6093

Toll-Free: (888) 317-5255

www.infradyne.com

FEATURES:

- | | |
|----------------------------------|------------------------------------|
| Completely Self-contained | 100% Safety Shutoff Control |
| Rain Protected | 40,000 BTUH Input Rating |
| Wind Resistant | Constant Pilot |
| Attractive Design | Propane Gas |

Each Sunglo A270 heater casts a 12 to 15 foot (3.5 meter to 4.5 meter) circle of sun-like radiant warmth-outdoors. Properly filled, a 5 gallon propane tank will operate this heater for approximately 10 hours.

FOR YOUR SAFETY

If you smell gas:

1. Shut off gas to the appliance.
2. Extinguish any open flame.
3. If odor continues, immediately call your gas supplier.

FOR YOUR SAFETY

Do not store gasoline or other flammable vapors and liquids in the vicinity of this or any other appliance.

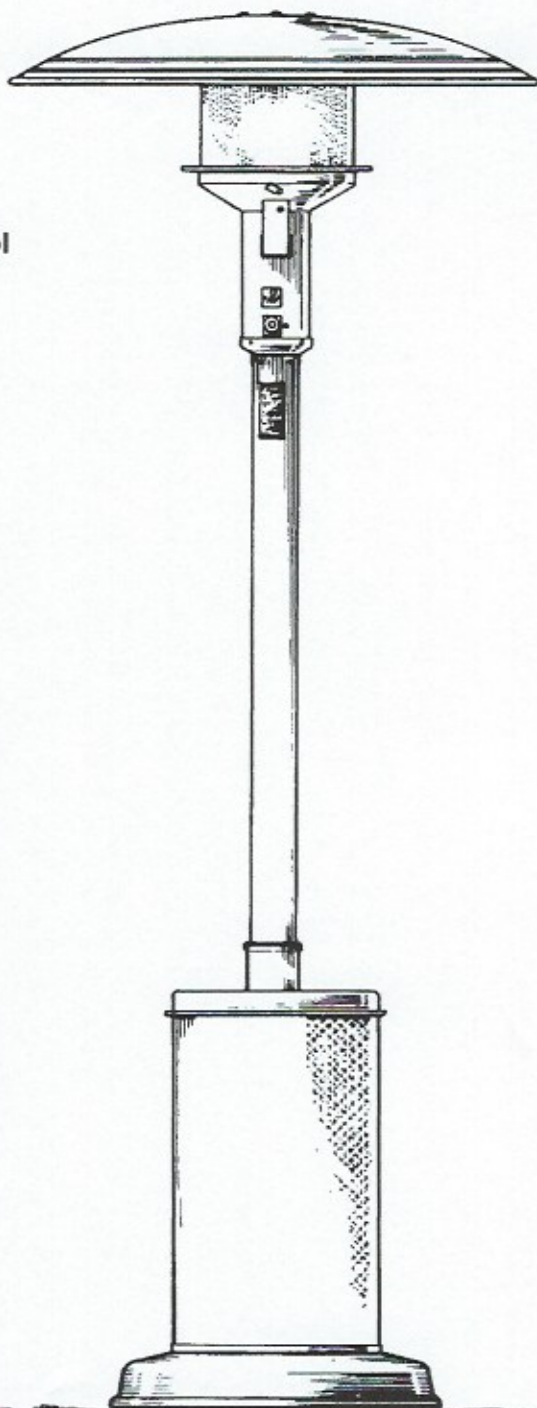
WARNING: FOR OUTDOOR USE ONLY!

WARNING: Improper installation, adjustment, alteration, service or maintenance can cause property damage, injury or death. Read the installation, operating and maintenance instructions thoroughly before installing or servicing this equipment.

PROP. 65 WARNING!!!

If not installed, operated and maintained in accordance with manufacturer's instructions, this product could expose you to substances in the fuel or from combustion which can cause death or serious illness, and which are known to the State of California to cause cancer, birth defects or reproductive harm.

MODEL A270
INFRARED PATIO HEATERS
CSA 5.90 U.S.
For Outdoor Operation Only



Retain these instructions for future reference.

Important: The installer or seller must leave these instructions with the consumer.

Installation, Operation and Maintenance Instructions for the Sunglo Model A270 Gas-fired Patio Heater

INSTALLATION

Important Safety Rules:

1. Children and adults should be alert to high surface temperature of areas above the post when operating this heater.
2. Children should be carefully supervised when they are in the area of the heater.
3. **NEVER** hang anything including clothes or other flammable items on the heater.
4. **DO NOT** operate this heater unless it is fully assembled with reflector in place.
5. Installation and repair should be done by a qualified service person. The heater should be inspected before use and at least annually by a qualified service person. More frequent cleaning may be required as necessary. It is imperative that control compartment, burners and circulating air passages of the heater be kept clean.

Prior to assembling your Model A270 propane heater, the following must be reviewed. Compliance with the following should yield satisfactory heater operation. This instruction should be retained for future reference. The installation must conform with local codes or authority having jurisdictions.

1. The Model A270 gas-fired infrared patio heater is intended for heating residential and nonresidential outdoor spaces. The installation must conform with local codes or, in the absence of local codes, with the National Fuel Gas Code, ANSI Z223.1.

In Canada, heater installation must conform with local building codes or, in the absence of local codes, with the current National Standards of Canada CAN/CGA-B 149.2.

2. Adequate clearance around air openings into the combustion chamber, clearances from combustible materials, provisions for accessibility and for combustion and ventilating air supply must be maintained at all times when the heater is operating.
3. Proper clearance from combustible materials must be maintained at all times. The minimum clearances are as follows:

Minimum Clearance from Combustibles

Side	24" (61 cm)
Rear	24" (61 cm)
Ceiling	18" (46 cm)
Below	84" (84 cm)

Combustible materials are considered to be wood, compressed paper, plant fibers, plastic, Plexiglas or other materials capable of being ignited and burned. Such materials shall be considered combustible even though flame-proofed, fire-retardant treated or plastered. Additional clearance may be required for glass, painted surfaces and other materials which may be damaged by radiant or convection heat.

4. Heaters must be placed on a level and adequate footing and be readily accessible. The heater may be permanently attached to the floor utilizing the Floor Clamp Kit (Part No. 27020) available from the manufacturer.
5. The gas manifold supply pressure must be regulated at 11" water column utilizing a U/L listed regulator. Any replacement regulator must be U/L listed. The minimum inlet pressure to the regulator from the tank is 5 PSI and maximum pressure is 150 PSI.
6. The heater must be inspected before each use, and at least annually by a qualified service person.
 - a. The appliance area must be kept clear and free of combustible materials, gasoline and other flammable vapors and liquids.
 - b. Gas jets and burner must be kept clear of dirt and cobwebs. Flow of combustion and ventilation air through the perforated portions of the heater must not be obstructed.
 - c. All gas connections should be checked for leaks utilizing a soap solution. Never use a flame for this purpose.
 - d. The flame pattern at the emitter grid should be visually checked whenever heater is operated (see figure 1.). If flames extend more than ½ inch beyond surface of the emitter grid or black soot is accumulating on the emitter grid or reflector, the heater should be turned off immediately. The heater should not be operated again until repairs are made.
 - e. Any cleaning agent used on the heater should be of a non-combustible and non-corrosive nature.
 - f. The stainless steel emitter grid normally does not require cleaning and should **NEVER** be painted. The reflector may be cleaned, but never painted. Other portions of the heater may be re-coated only with high temperature (1,200°F) paint.
7. The hose assembly shall be properly located out of pathways where people may trip over it. The hose must be protected from contact with hot or sharp surfaces both during use and while in

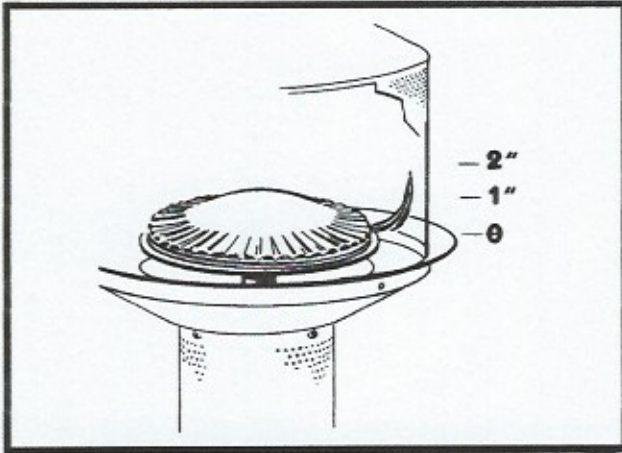


Figure 1. Normal Flame Position

storage. The hose assembly shall be visually inspected prior to each use of the heater. If excessive abrasion or wear is evident, or the hose is cut, it must be replaced prior to operating the heater. The replacement hose assembly, Part #80011-3 may be obtained from manufacturer or sales representative. See parts list.

8. **DO NOT** use any pressure regulator or hose assembly other than those supplied with the appliance. Replacement pressure regulator and hose assembly must be those specified by Infrared Dynamics. Replacement parts may be obtained from the manufacturer or your local sales representative.
9. Installation and use of this heater must conform with local codes or, in the absence of local codes, with the Standards for Storage and Handling of Liquefied Petroleum Gases, ANSI/NFPA 58.
10. Heater is designed to operate with a standard five (5) gallon propane tank with quick connect coupling (Connection No. 600) only. The propane cylinder must (1) be provided with a shutoff valve terminating in an LP-gas supply cylinder valve outlet specified as applicable for a Connection No. 600 in the Compressed Gas Associations Limited Standard Cylinder Valve Outlet Connection for Propane-Small Valve Series or a combination LP-gas cylinder valve and quick-disconnect assembly complying with 1.16.5-c and a safety relief device having a direct communication with the vapor space of the cylinder; (2) the cylinder supply system must be arranged for vapor withdrawal; and (3) the cylinder used must include a collar to protect the cylinder valve. The LP-gas supply cylinder must be constructed and marked in accordance with the specifications for LP-gas cylinders of the U.S. Department of Transportation.

11. Tank connector fittings must be maintained in good condition. A leak test should be performed with soapy water whenever a new tank connection is made. **NEVER** use a match to test for leaks. The replacement tank adapter fitting Part #90019 may be obtained from the manufacturer or sales representative. See parts list.
12. Propane tank must be turned off whenever the heater is not in use. When the heater is to be stored indoors, the connection between the propane cylinder and the heater must be disconnected and stored in accordance with Chapter 5 of the Standard for Storage and Handling of Liquefied Gases, ANSI/NFPA 58.
13. The A270 Sunglo Heater has been designed with several safety features. These include 100% safety shutoff control, elevated heating element, weighted base, and tank quick connect coupling. Any modification to the heater not described in the installation instructions may compromise the safety of this appliance. Of special concern is the following:
 - (1) DO NOT shorten post length;
 - (2) DO NOT bypass thermocouple safety;
 - (3) DO NOT operate heater without a reflector; and (4) DO NOT remove filler from weighted base. Clothing or other flammable materials should not be hung from the heater, or placed on or near the heater. The area above the post may be extremely hot. Direct contact with these metal surfaces should be avoided in order to prevent burns or clothing ignition.

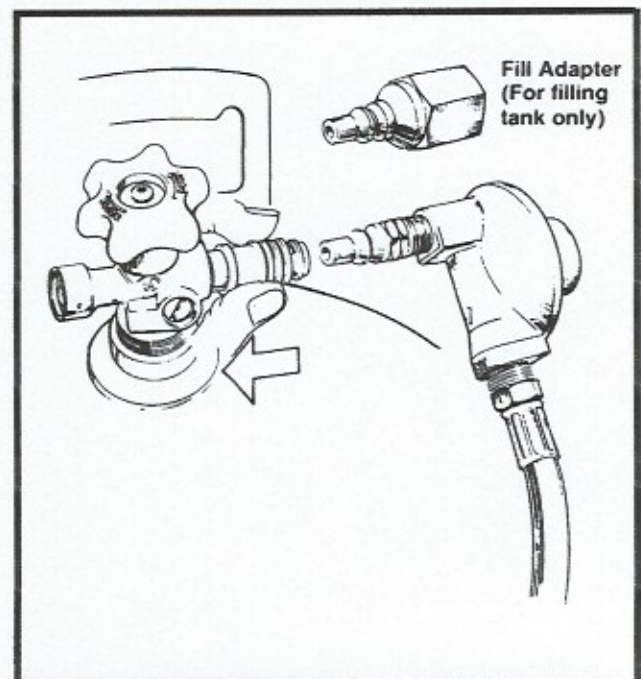
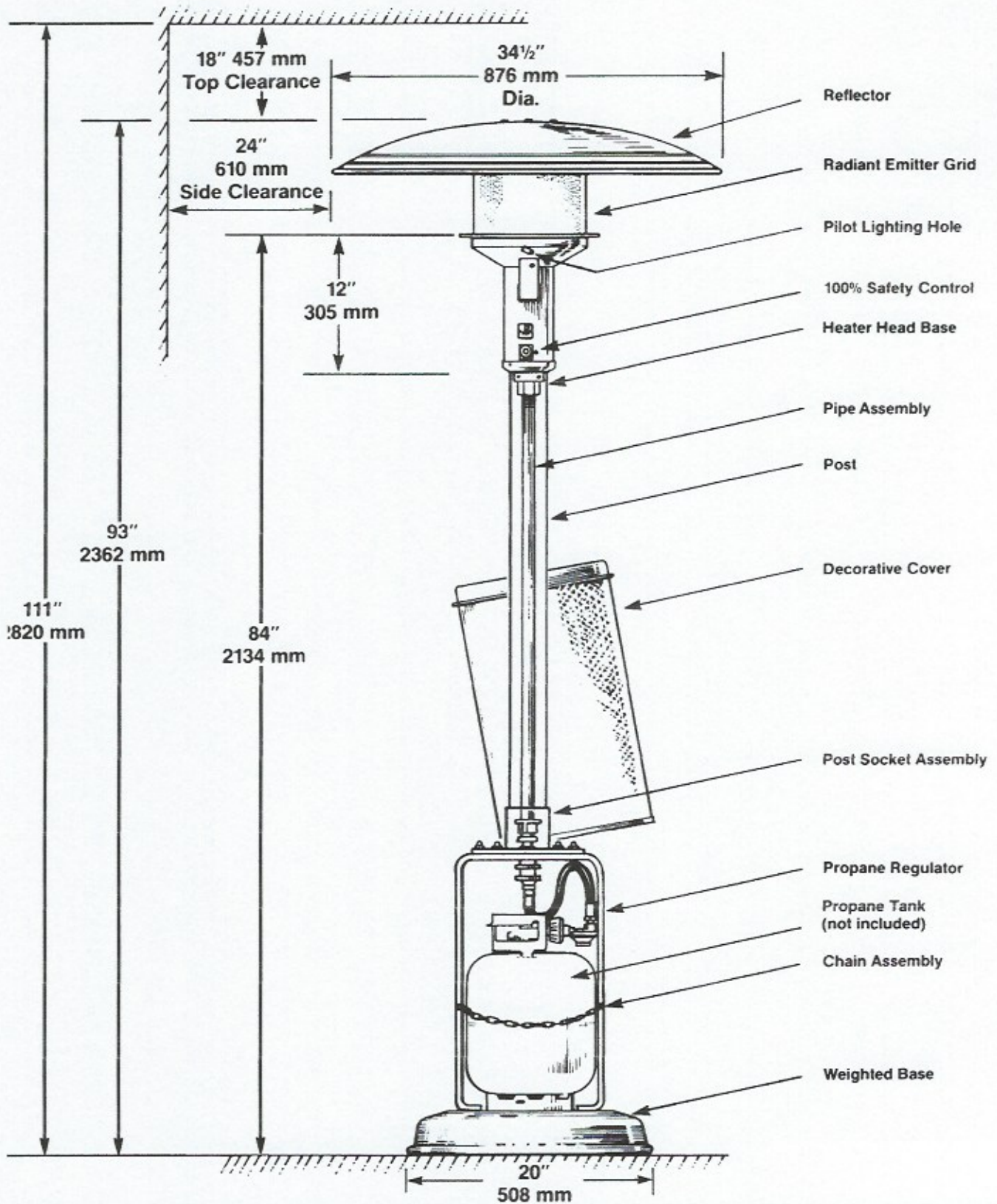


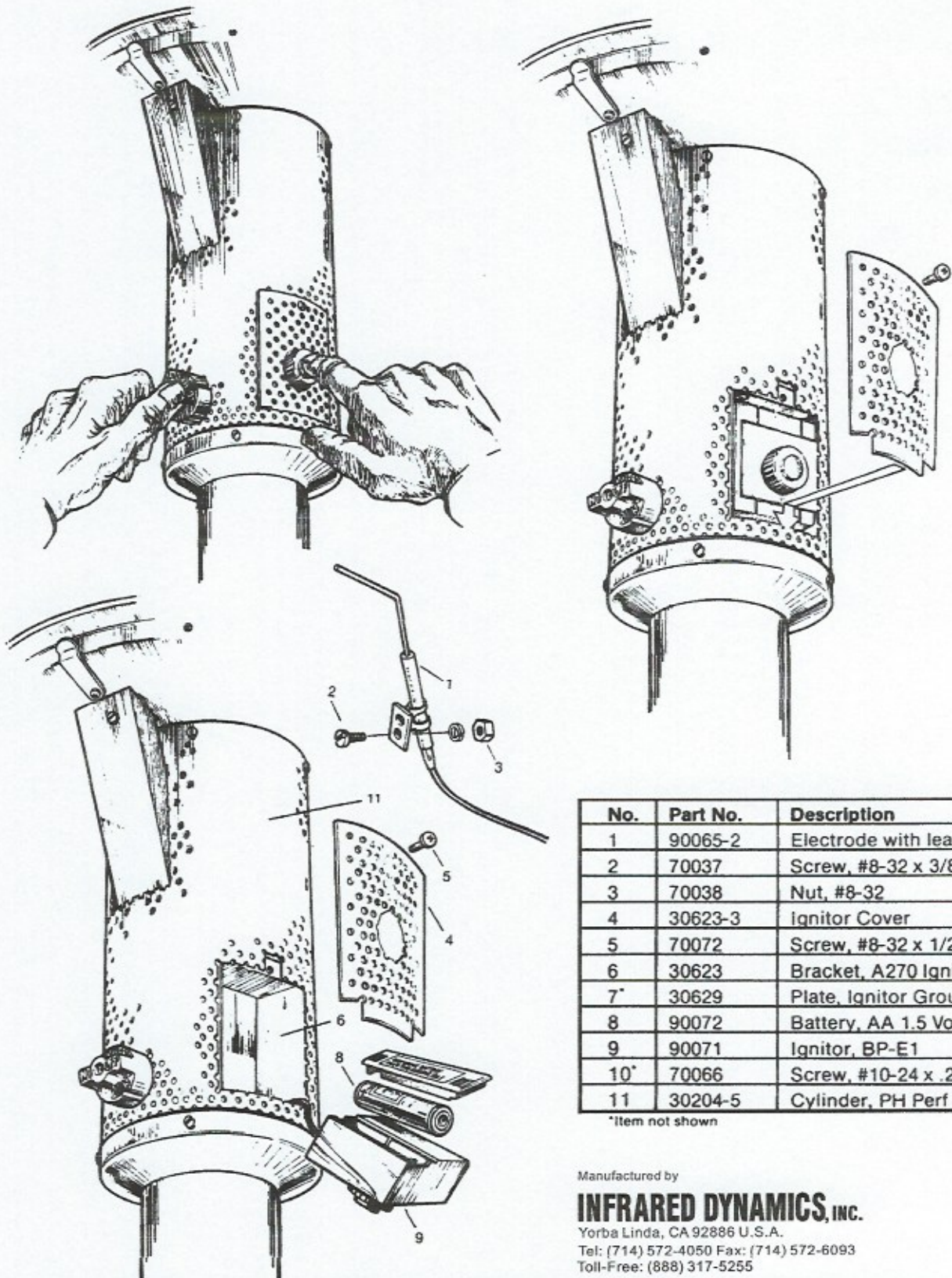
Figure 2. Quick Connect Coupling.

sun-glo® The Original Outdoor Patio Heater

MODEL A270
 INFRARED PATIO HEATERS
 CSA 5.90 U.S.
 For Outdoor Operation Only



Optional Spark Ignition System



No.	Part No.	Description
1	90065-2	Electrode with lead
2	70037	Screw, #8-32 x 3/8
3	70038	Nut, #8-32
4	30623-3	Ignitor Cover
5	70072	Screw, #8-32 x 1/2 SS
6	30623	Bracket, A270 Ignitor
7	30629	Plate, Ignitor Ground
8	90072	Battery, AA 1.5 Volt
9	90071	Ignitor, BP-E1
10	70066	Screw, #10-24 x .250L
11	30204-5	Cylinder, PH Perf SS

*Item not shown

Manufactured by

INFRARED DYNAMICS, INC.

Yorba Linda, CA 92886 U.S.A.

Tel: (714) 572-4050 Fax: (714) 572-6093

Toll-Free: (888) 317-5255

www.infradyne.com

TEST FIRING HEATER

Test fire heater, following the lighting instructions on heater post. Leak test all gas connections with soapy water. Soap bubbles indicate gas leakage. Do **NOT** use a match to test for gas leaks.

WARNING: White smoke may appear around the emitter grid during the first minute of the initial firing.

TROUBLE SHOOTING

Problem	Possible Causes
Pilot won't light	<ul style="list-style-type: none">• Air in gas line• Low gas pressure• Gas line turned "Off"• Blockage in gas line
Pilot won't stay lit	<ul style="list-style-type: none">• Bad thermocouple• Corrosion of thermocouple contact• Bad Valve• Wind exceeding 10 mph
Main burner won't light	<ul style="list-style-type: none">• No power• Low gas pressure• Blockage in orifice• Manual valve not in "On" position

Limited Warranty and Service

Heaters carry a 90-day commercial or one-year residential factory warranty. All heaters are stamped with the date of manufacture. In most cases, your dealer or sales representative will handle the warranty procedure for you. If there is no sales representative available, the heater head and regulator may be returned to the factory for repair. Warranty is limited to repair of heaters at the factory or replacement parts. Any work or repair of this heater must be performed by qualified service personnel. Infrared Dynamics will not be liable for any other expense to the customer, except as stated above.

To Light Pilot

Rotate control knob to "Pilot" position. Firmly depress knob for 30 seconds while lighting pilot through $\frac{1}{2}$ " dia. lighting hole above control. Pilot should remain lit.

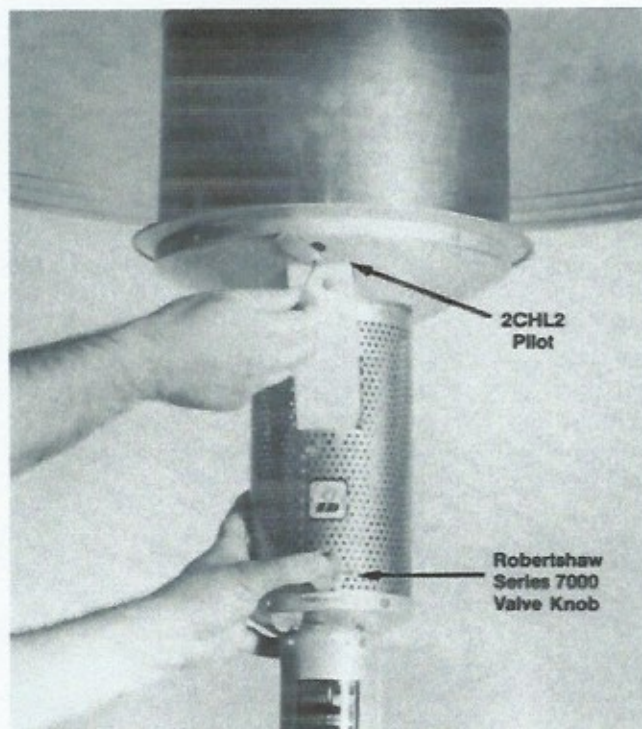
NOTE: Allow 1½ minutes to purge air through pilot after connection with a new tank of propane gas.

To Turn Heater On

Turn control knob to "On" position.

To Turn Heater and Pilot "Off"

Turn knob to "Pilot" position. Depress slightly and turn to "Off" position. Wait 5 minutes after complete shutoff of heater before relighting pilot. Turn "Off" gas tank when heater is not in use.



Manufactured by

INFRARED DYNAMICS, INC.

Yorba Linda, CA 92886 U.S.A.

Tel: (714) 572-4050 Fax: (714) 572-6093

Toll-Free: (888) 317-5255

www.infradyne.com